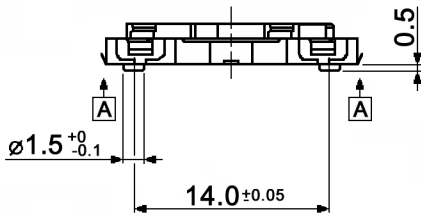
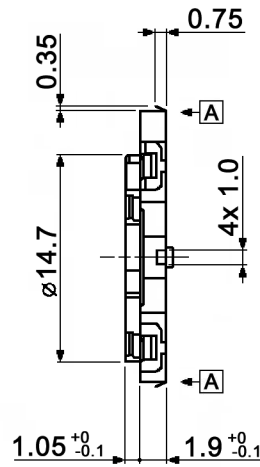
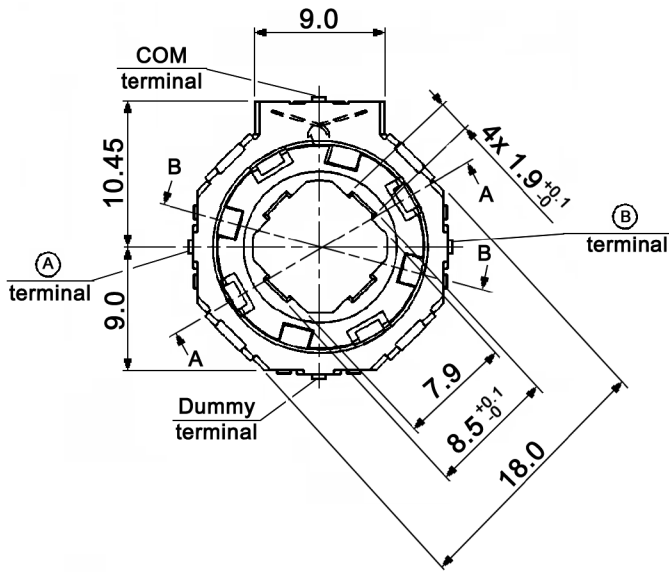
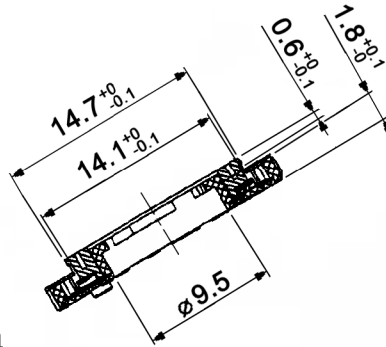


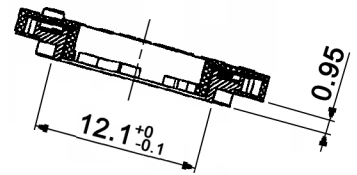
4x A common tolerance zone  $\square \pm 0.1$



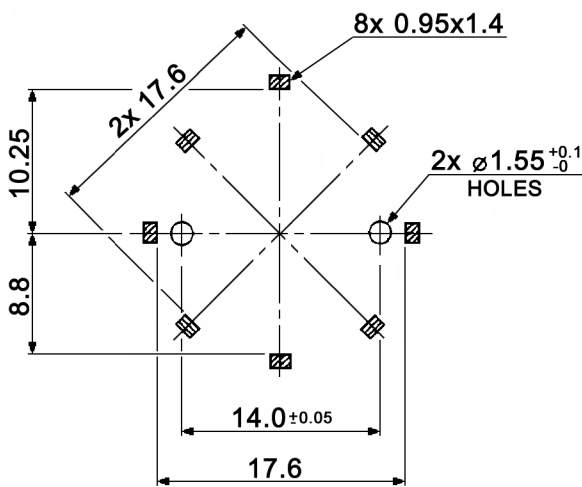
A-A SECTION



B-B SECTION



P.C.B. LAND DIMENSION  $\oplus 0.05$



Compliance: RohS III (2015/863/EU)

Tolerances: up to 10: $\pm 0.2\text{mm}$ above 10-50: $\pm 0.3\text{mm}$		Date	Name
		10/09	dr
Mechanical life	04/20	dr	
Torque	08/17	dr	
Torque	05/17	dr	
Common tolerance zone	04/14	dr	
Soldering conditions	03/14	dr	
Modifications	Date	Name	

**MER1045-24-x**

**knitter-switch**

**30 19 44**

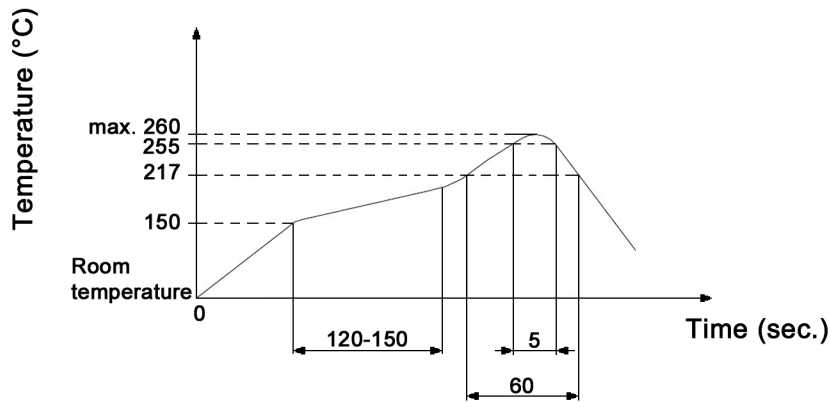
Page

1/3

**Specifications:**

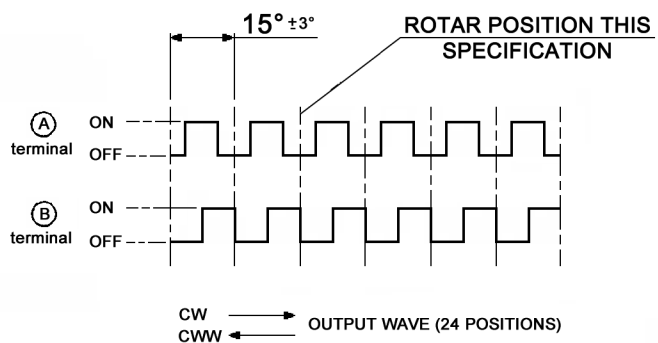
**Contact rating:** 10mA, 5V DC  
**Contact resistance:** 1Ohm max.  
**Insulation resistance:** 100MOhm min. at 100V DC for 1 minute +/-5sec.  
**Dielectric strength:** 100V AC (50/60Hz) for 1 minute  
**Operating temperature:** -10°C to +60°C  
**Mechanical life:** 300 000 cycles  
**Material:** Spring: stainless steel, natural  
 Terminal: C5191, silver plated  
 Contact: phosphor bronze, silver plated  
 Housing: PA46, black  
 Cover: stainless steel, silver plated  
 Rotor: PA46, grey

**Soldering conditions:**



x	Torque min.	Torque max.	Torque typ.
(empty)	-	8 mN*m	4...7 mN*m
6	2 mN*m	6 mN*m	3...5 mN*m
5	1.5 mN*m	5 mN*m	2...4 mN*m

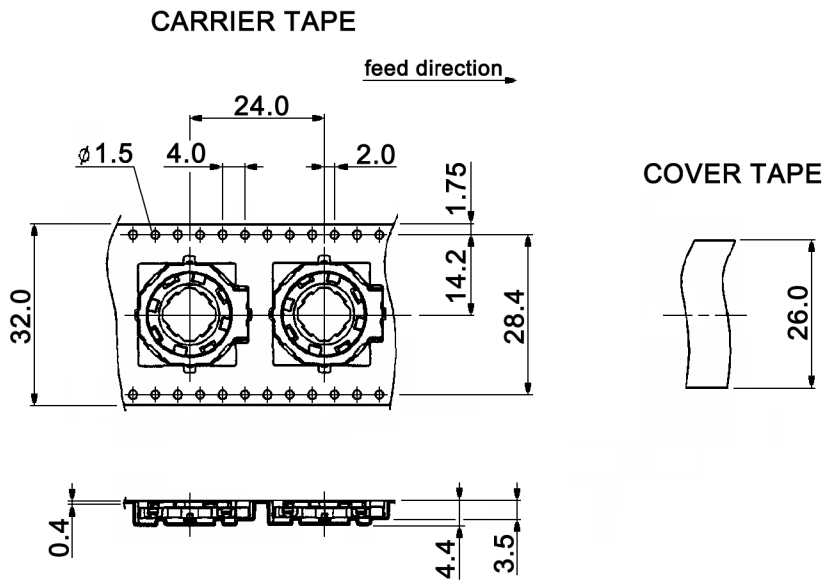
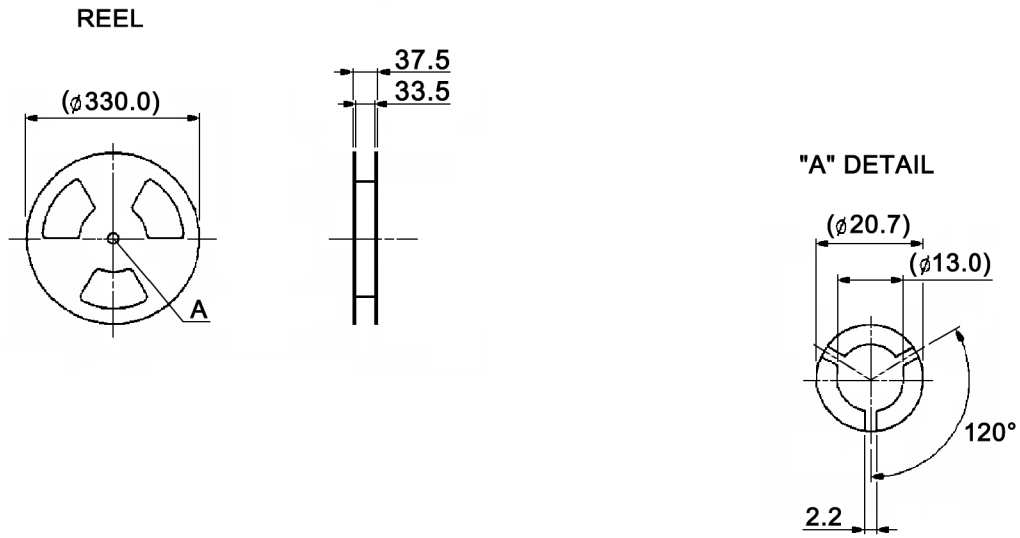
**CIRCUIT DIAGRAM**



Compliance: RohS III (2015/863/EU)

Tolerances: up to 10: ±0.2mm above 10-50: ±0.3mm		Date	Name	<h1>MER1045-24-x</h1>
		10/09	dr	
Mechanical life	04/20	dr		
Torque	08/17	dr		
Torque	05/17	dr		<h2>30 19 44</h2>
Common tolerance zone	04/14	dr		
Soldering conditions	03/14	dr		Page
Modifications	Date	Name		2/3

Packaging:



Packaging unit: 500 pcs. / reel  
Compliance: RohS III (2015/863/EU)

Tolerances: up to 10: $\pm$ 0.2mm above 10-50: $\pm$ 0.3mm		Date	Name	<h1>MER1045-24-x</h1>
		10/09	dr	
Mechanical life	04/20	dr		
Torque	08/17	dr		
Torque	05/17	dr		<h2>30 19 44</h2>
Common tolerance zone	04/14	dr		
Soldering conditions	03/14	dr		Page
Modifications	Date	Name		3/3